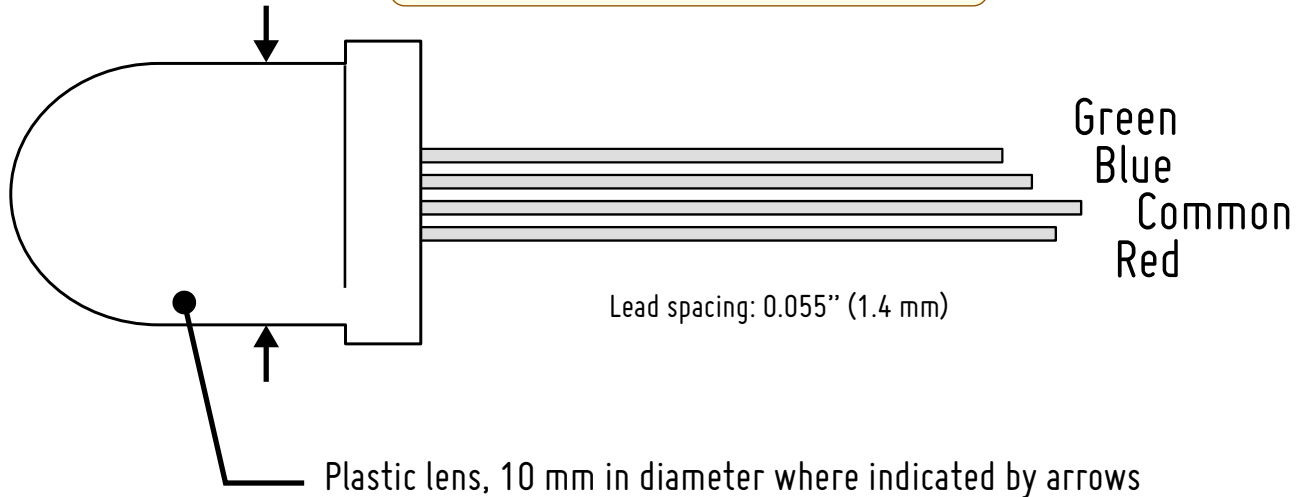


10 mm Ultrabright RGB LEDs with Clear Lenses



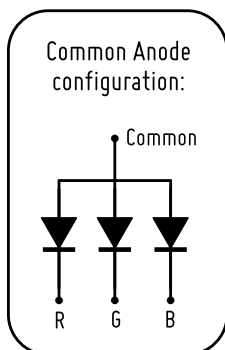
Evil Mad Science LLC
evilmadscience.com



- Water-clear lens projects light but does not mix colors.
Best lens choice for viewing at a long distance

LED Element	Wavelength (Peak, nm)	Viewing Angle	Forward Current (mA)		Forward Voltage (V _F)		Reverse Voltage (V _R)	Luminous Intensity (mCd)**	
			Cont.	Peak*	Typical	Max		Min	Typical
Red	630	20°	30	150	2.1	2.5	5	500	800
Green	525	20°	30	150	3.1	3.8	5	800	2000
Blue	430	20°	30	100	3	4.2	5	800	1500

Common-anode LED configuration.



Manufacturer: Betlux Electronics www.betlux.com
Manf. Part No: BL-L105RGBC-CA

* Peak current is with limited duty cycle: 100 μs @ 1 kHz

** Note that luminous intensity accounts for both human eye response and viewing angle